

# EV Charger Mounting Post

## Product Information

A high quality, cylindrical electrical vehicle charger post for domestic, workplace, semipublic and public EV charging installations. The post has a mounting flange for direct fitting to concrete or the GYRO-EV Make Ready Termination Pit. Excellent when you need a charging station positioned away from an external wall. Designed and manufactured to Thundergrid's specification for Etrell and TeltoCharge Chargers.

## Stainless Steel Features

- Ø101.6 mm Stainless Steel tube Marine Grade 316
- Polished Finish
- Height: ~1500 mm
- Cable hole & mounting plates designed to fit perfectly with the charger
- Single & Dual mounting options available
- Supplied with all required fasteners to fit the charger to the mounting post
- The post has a mounting flange for direct fitting to concrete or the GYRO-EV Make Ready Termination Pit (optional extra)

## Charger Compatibility

- Etrell Inch Home
- Etrell Inch Lite
- Etrell Inch Pro
- Teltonika TeltoCharge

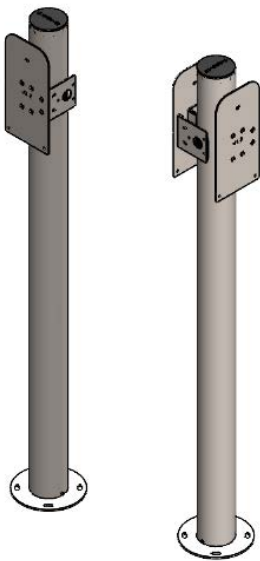
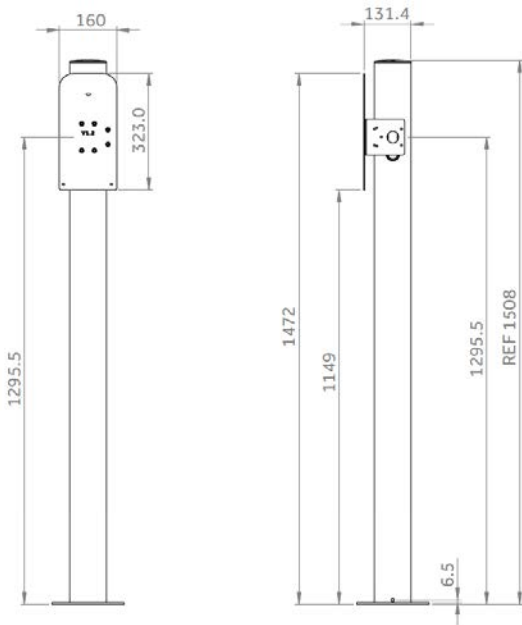


# EV Charger Mounting Post

## Product Information

### 2-Dimensional Drawings

Teltonika TeltoCharge



Etrac

